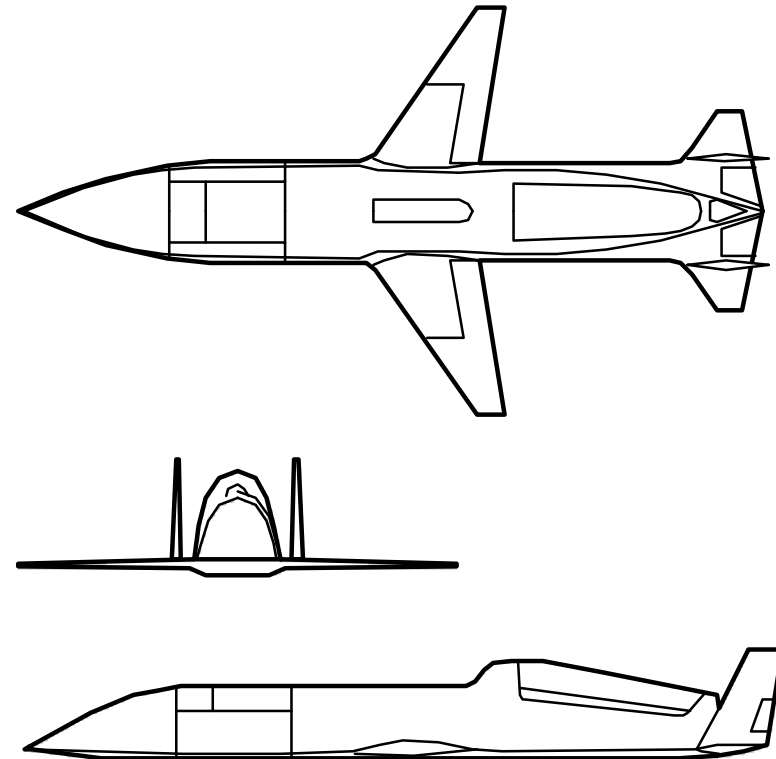




Model 324 Mid Range UAV



Length	20.17 Feet
Wingspan	10.95 Feet
Height	2.83 Feet
Max Gross Weight	2,384 Pounds
Speed (Max)	Mach 0.85
Max Altitude	43,000 Feet
Cruise Range	1,380 Nautical Miles
Engine	TCAE 373-8





Model 324 Mid Range UAV

- **Produced for the Egyptian Air Force Reconnaissance Department Between 1984 and 1992**
- **High subsonic (M0.8) Turbojet Powered Medium Altitude (40K ft.) 1400 NM Range**
- **Ground Launchable Only with Modified Harpoon Rocket Motor**
- **Configured for Either the D-500 IRLS (Honeywell/LIRIS) or the KS-153A 24" FL Photo Camera (Recon Optical), Both Wet Film Technology Systems**
- **Autonomous Flight Capable via GPS Waypoint Navigation**
- **Parachute Recovery with Landing Bags**
- **Deployable and Operable by a Three Man Crew**
- **Entire System Transportable in a C-130 Aircraft**
- **Total of 56 Produced and Delivered. Approximately 50 Remain Flight Worthy**
- **Unit Based in Kom Oshim Air Base, 80 km South of Cairo**
- **Supported by TRA in Country and as the Depot**



Model 324

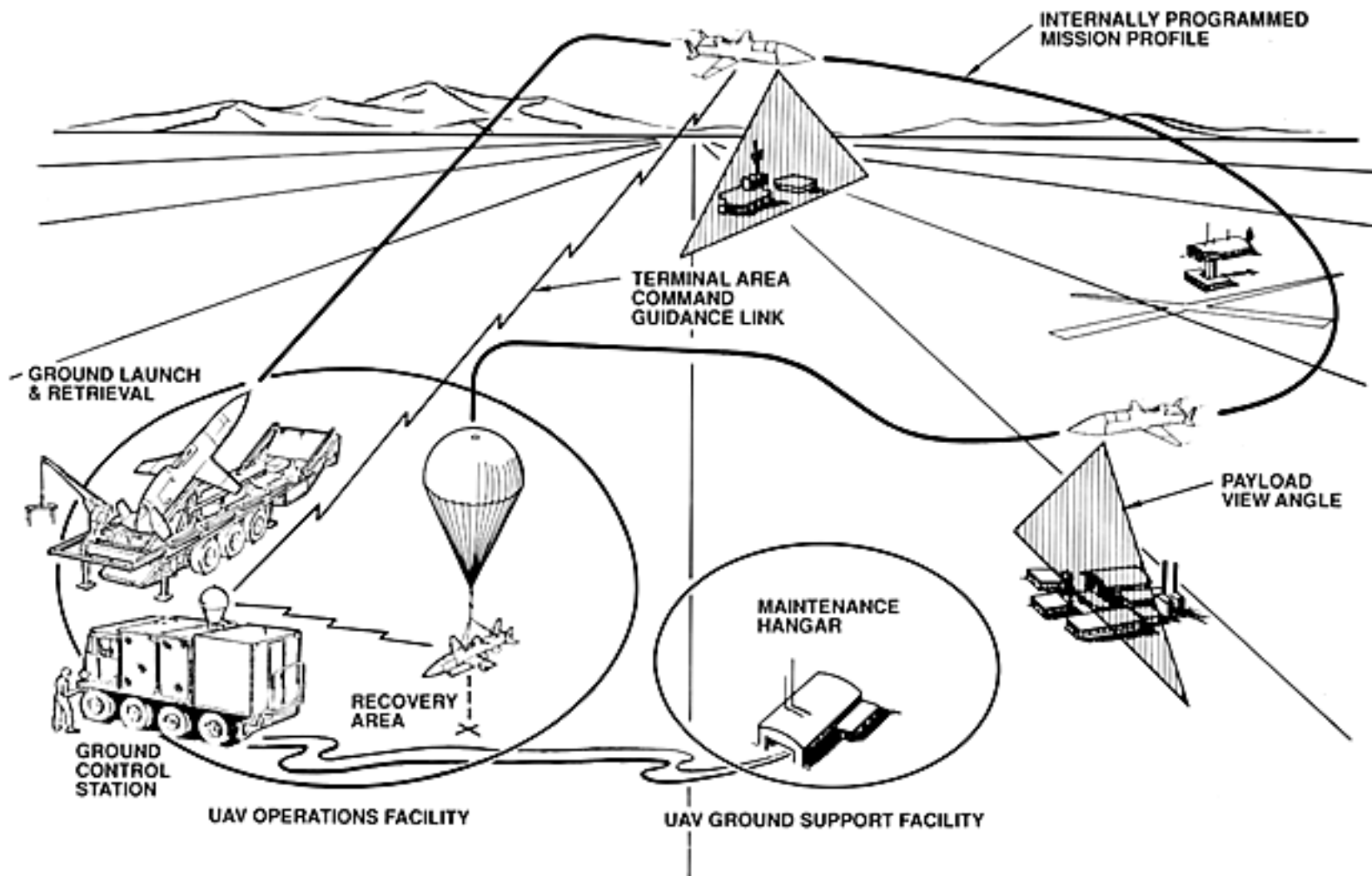
System Capabilities

- **MAX SPEED MACH 0.85**
- **MAX ALTITUDE 43,000 FT (13,106 METERS)**
- **MAX RANGE 1,400 NMI (2,592 KM)**
- **WEIGHT 2,400 LB (1,087 KG)**
- **PAYLOAD CAPACITY 250 LB (113 KG)**



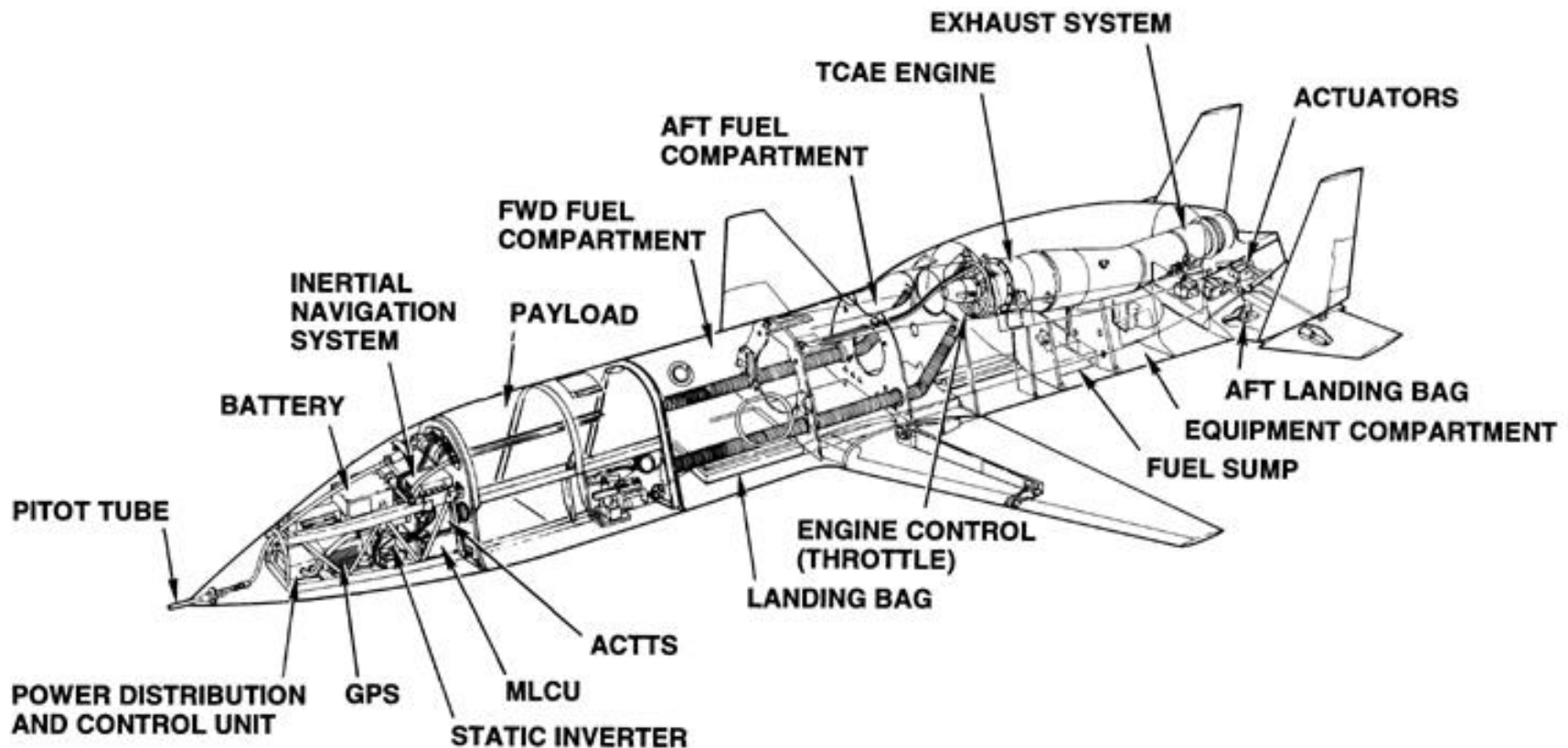
Model 324 System Operational Plan

Air or Ground Deployment



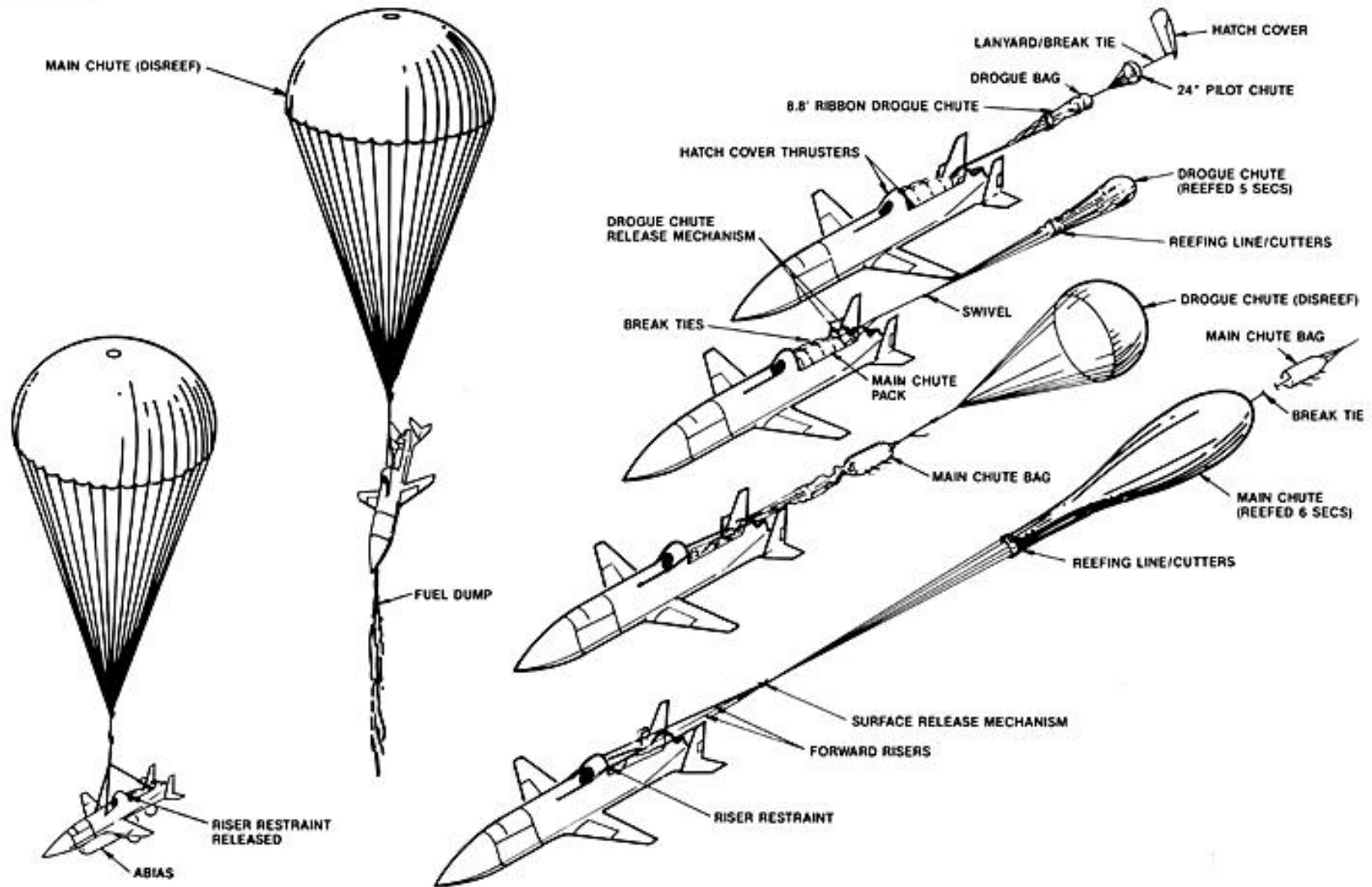


Model 324 Internal Arrangement





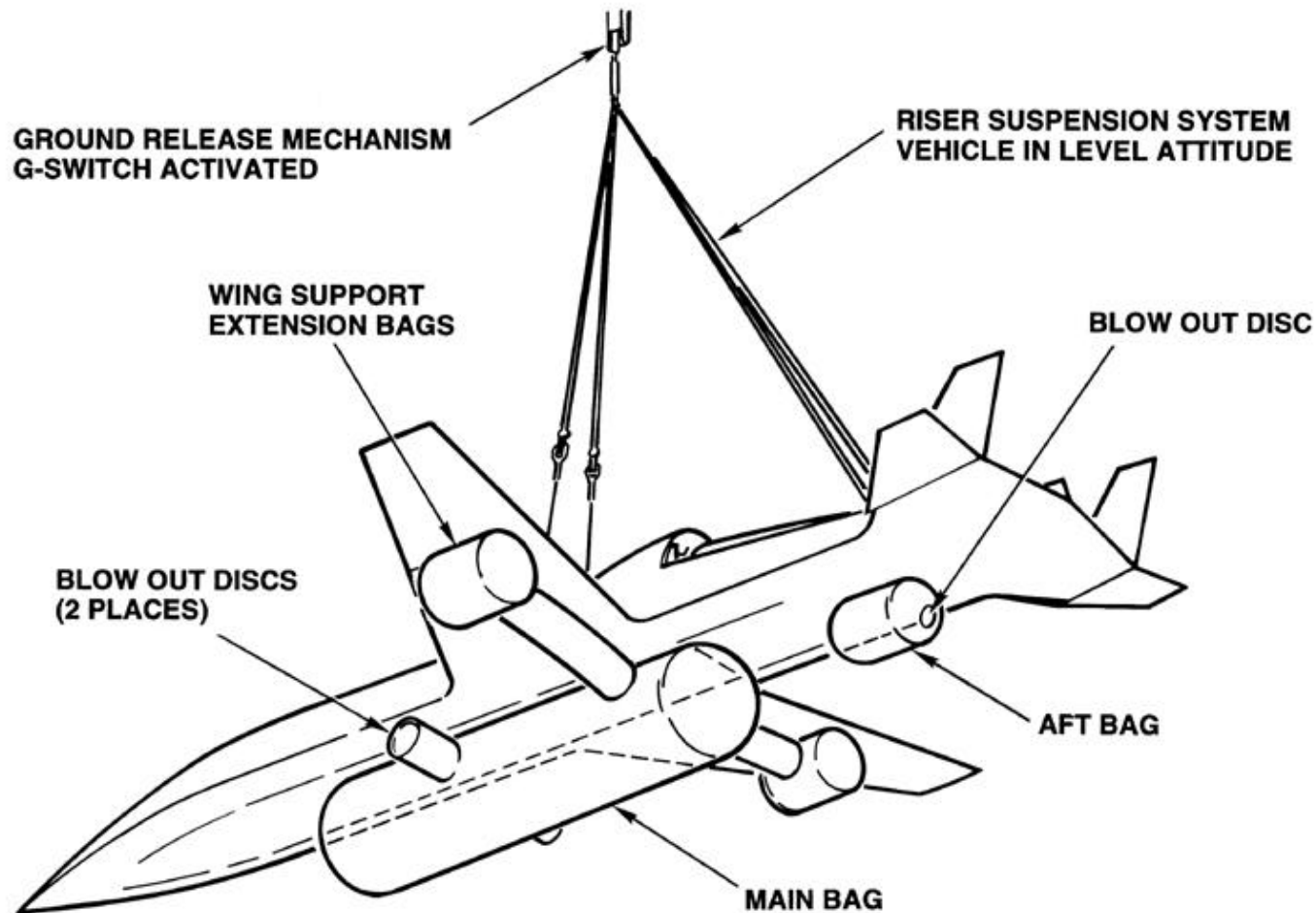
Model 324 Recovery Sequence





Model 324 Air-Bag Impact Attenuation System (ABIAS)

DEPLOYS AT APPROXIMATELY 2,400 FT (730M) ABOVE GROUND LEVEL





Model 324 Launch Recovery Vehicle

LRV GENERAL SPECIFICATIONS

OVER ROAD CONFIGURATION:

SPEED (MAXIMUM SPEED)	84 KPH	(52 MPH)
RANGE @ 80 KPH (50 MPH)	6 HOURS	
WEIGHT – TRACTOR	10,370 KG	(22,862 LB)
TRAILER/AIR VEHICLE	7,610 KG	(16,778 LB)

POWER UNIT:

8V92/A DETROIT DIESEL ENGINE
400 BHP (298 KN) AT 2,100 RPM
ALL-WHEEL HYDRAULIC DRIVE W/LEVELING
TRAILER-POWER ASSISTED

HANDLING CAPABILITIES

CENTRAL TIRE INFLATION SYSTEM
ENVIRONMENT CONTROL SYSTEM (CAB & GCTSS)
A/C GENERATOR – 25 KW

C-130H TRANSPORTABLE

